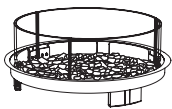


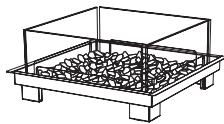
CLEARANCES & INSTALLATION MANUAL PROPANE & NATURAL GAS

Please read these instructions and the Burner Operations Manual provided with your burner completely before operating the appliance.

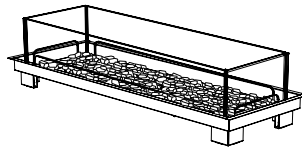
FIRE PIT KITS



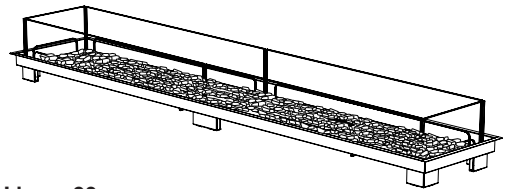
Round 20
22kg, 48.5lbs



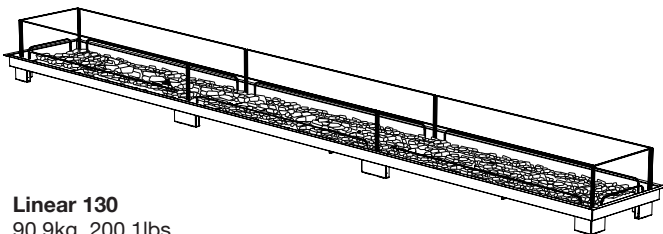
Square 22
24.8kg, 54.6lbs



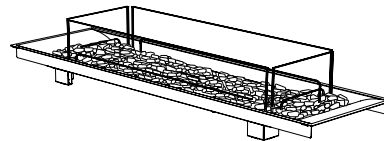
Linear 50
41.3kg, 90.9lbs



Linear 90
65.2kg, 143.3lbs



Linear 130
90.9kg, 200.1lbs



Linear Curved 65
44kg, 96.8lbs

Fire Pit Kits Clearances

2

WARNING: FOR OUTDOOR INSTALLATION ONLY.

When planning an appliance installation, it's necessary to determine the following information first:

Environmental Conditions

WARNING: Ensure that your fire is positioned away from flammable materials and other sources of ignition (combustible materials, gasoline and other flammable vapors and liquids) at all times. Pay very close attention to positioning the fire away from items that may move as a result of wind and drafts. For example trees/branches/curtains/paper and the like.

The base of the burner within the model must never come into direct contact with flammable materials.

Locating your appliance

Adequate and constant ventilation is important to keep the appliance functioning properly and safely, including ventilation of the appliance undersides. Setting the appliance without air circulation underneath can cause heat build up and improper combustion. Do not remove the feet or operate the appliance with missing feet.

1. Locate the appliance on hard, flat surface that extends the full length and width of the appliance. The appliance and the LP tank cover can be placed on combustible surface (such as wood deck) or on non-combustible material (such as concrete). Ensure all clearances to the sides and clearances above the appliance are observed at all times (see figures 1 and 2).
2. Maintain a minimum air space of ½" (12.5mm) between the ground surface and the underside of the appliance sidewalls by adjusting the articulating feet up or down as necessary.
3. Do not place the appliance over grass, artificial turf, carpet or any uneven surface, as this will block the airflow underneath the appliance. See figure 1.
4. Follow the same instructions above for the LP tank cover (if purchased). See figure 1.

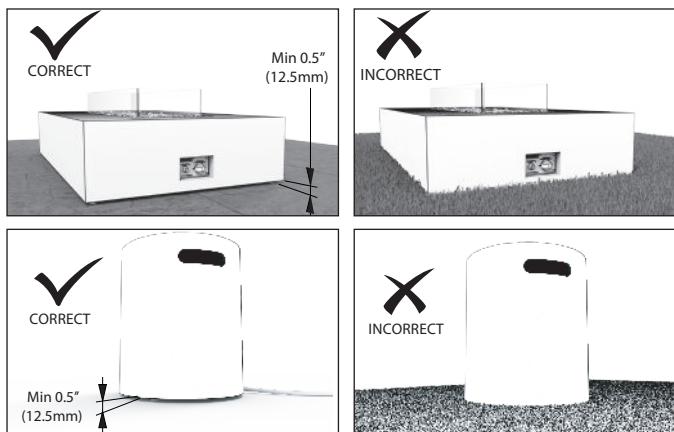


Figure 1

Position the appliance adjacent to the gas supply line or LP gas supply cylinder.

DO NOT locate the appliance where it will get excessively wet or submerged in water.

Minimum Clearances

Note: Measurements are distances closest to the flame

Side clearances to fixed and stable furniture items that are not susceptible to movement such as lounges or patio furniture must remain a minimum of 24in (610mm) away from the flame at all times.

Overhead clearances to items that are susceptible to movement (e.g. Curtains/Trees) must remain a minimum of:
- 78.7in (2000mm) away from the flame at all times.

Ceiling clearances must remain a minimum of:
- 72in (1,829mm) to overhang from top of burner.

Please note that:

Any furniture items or fittings directly above or beside the Burner installation must be deemed suitable for heat tolerances by their manufacturer e.g. electronic items including screens and entertainment equipment, wallpaper, laminates, veneers, glues and reconstituted materials.

MAD Design USA is not liable for any injuries or damages sustained through any installation not in compliance with this manual.

A fire extinguisher is strongly recommended.

WARNING

MAD Design USA disclaims any responsibility for, and the warranty will be voided by, the following actions:

- Installation and use of any damaged components.
- Modification of the burner assembly or burner orifice.
- Installation other than as instructed in this manual.

Any such action may cause a fire hazard

WARNING

Fire Risk
Provide adequate clearance:

- Around air openings
- For service access

Locate appliance away from traffic areas

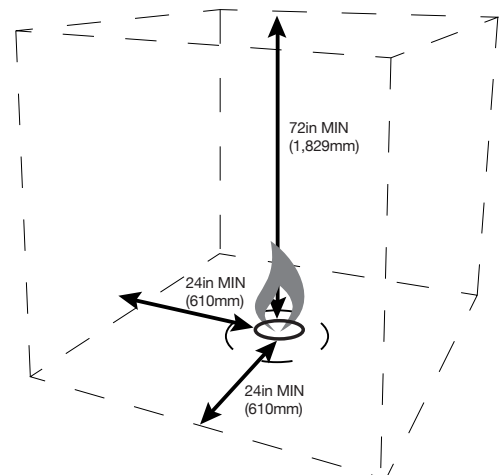


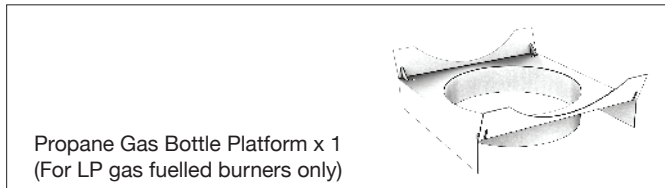
Figure 2

Clearance measurements are distances from the edge of the flame, not from the centre.

Fire Pit Kits Installation

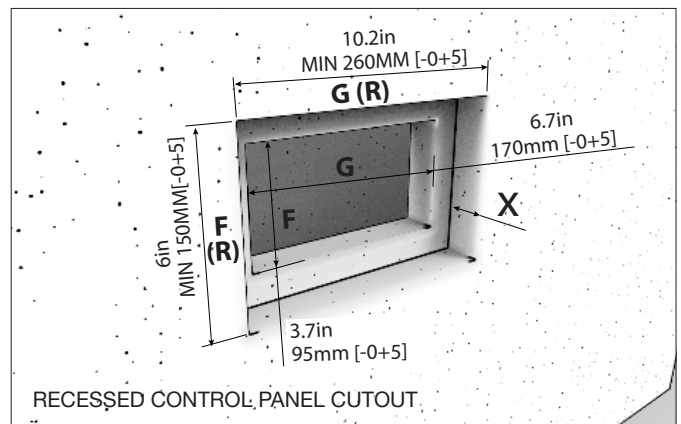
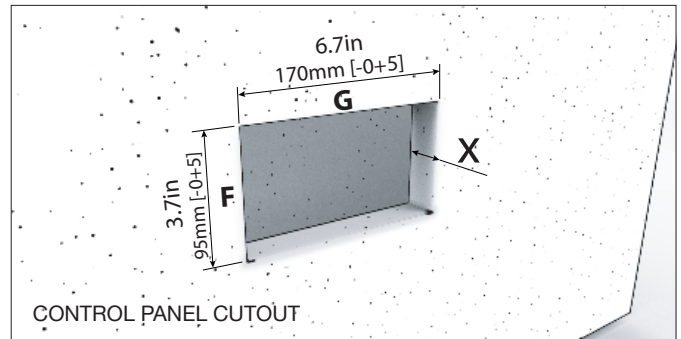
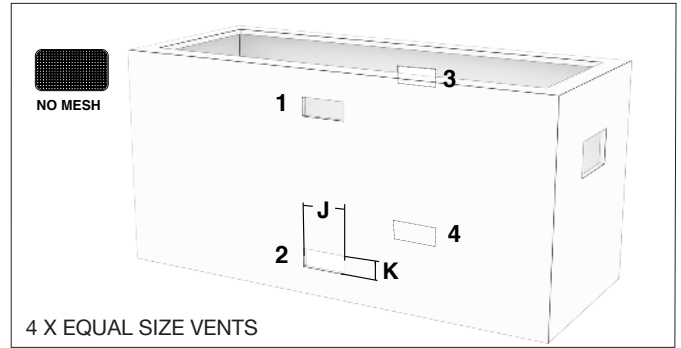
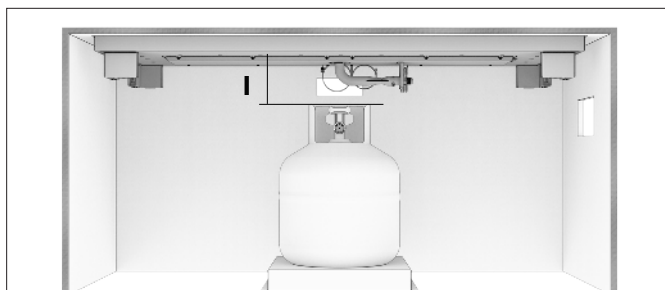
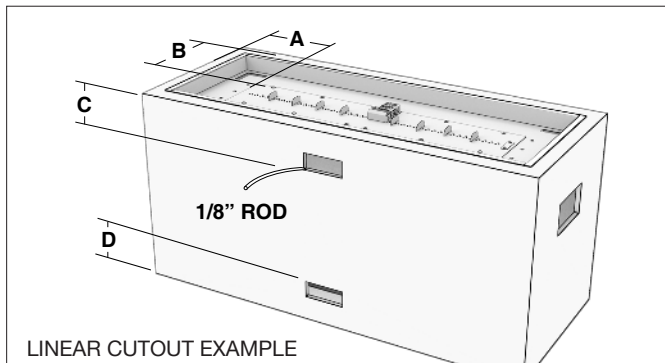
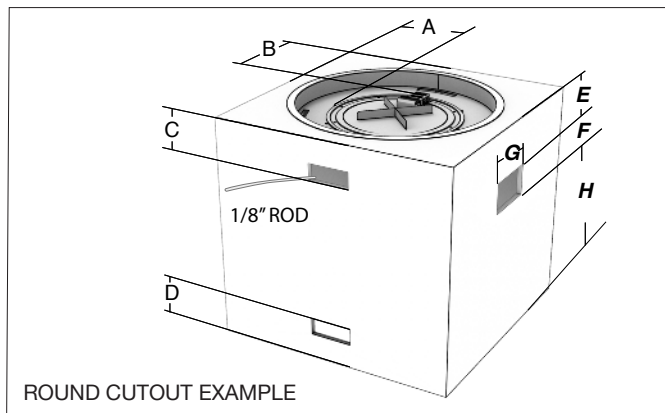
INSTALL ONLY IN A PERMANENT OUTDOOR CONSTRUCTION.

1. Confirm you have received all necessary parts as illustrated.



2. Construct the fire pit surround/platform following the ventilation opening cutout/clearance dimensions shown in the table. Two ventilation openings (one on top and one on the bottom) must be provided on one sidewall and another set of equal size and spaced at a minimum 90 degrees from that sidewall.

Note: Ventilation Grilles and Blocks are available for the ventilation openings. Contact Customer Service for details.



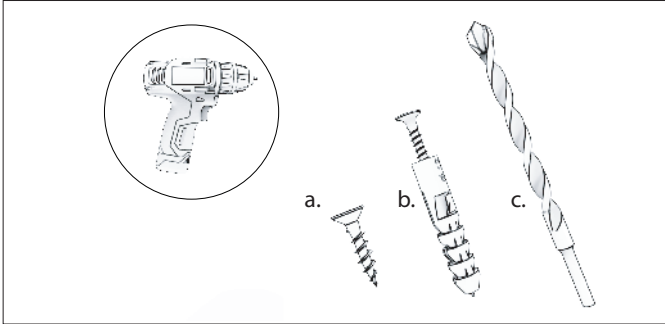
Cutout/Clearance Dimensions

Physical appliance dimensions should be verified against cut out dimensions BEFORE installation begins to confirm tolerances align.

MIN. SIZE	20L Bottle	10L Bottle
A (Round)	6.8in (172mm)	
B (Round)	6.8in (172mm)	
A (Linear)	7.0in (178mm)	
B (Linear)	7.0in (178mm)	
C	5.0in (127mm)	
D	5.0in (127mm)	
E	2.8in (70mm)	
F	3.7in (95mm)	
F (R)	RECESSED 6.7in (170mm)	
G	6.7in (170mm)	
G (R)	RECESSED 10.7in (260mm)	
H	2.0in (51mm)	
I (Round)	6.0in (152mm)	
I (Linear)	4.0in (102mm)	
J	5.0in (127mm)	
K	2.0in (51mm)	1.0in (25mm)
X	Determined by material thickness.	

3. To install the Control Panel, first the Mount Frame needs to be fixed to the surround/platform. Select the right fasteners (not included) depending on material used to build surround/platform.

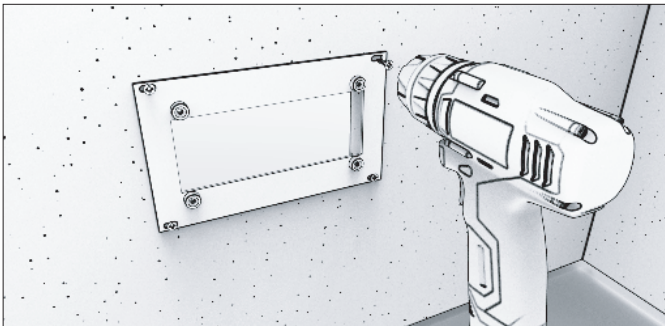
- a. Timber screw, for timber construction installations.
- b. A masonry anchor and screw for any concrete or stone surfaces.
- c. An appropriate drill bit.



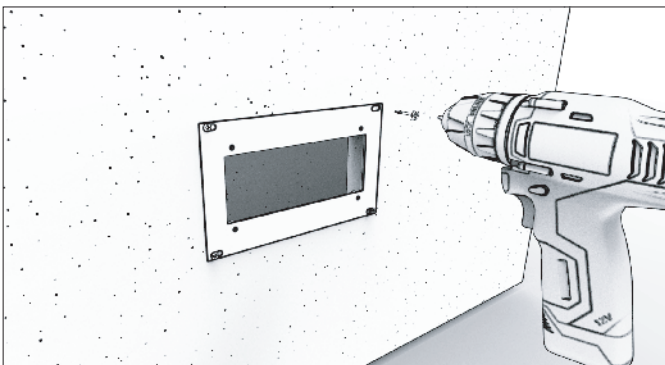
4. Locate the control panel cutout in the built surround/platform. Mark, pre-drill and attached the Mount frame using appropriate fasteners, ensuring the opening of the frame is centered in the cutout.

The mount plate can be installed in a variety of ways on the proviso that the mounting holes are centred and exposed when install is complete.

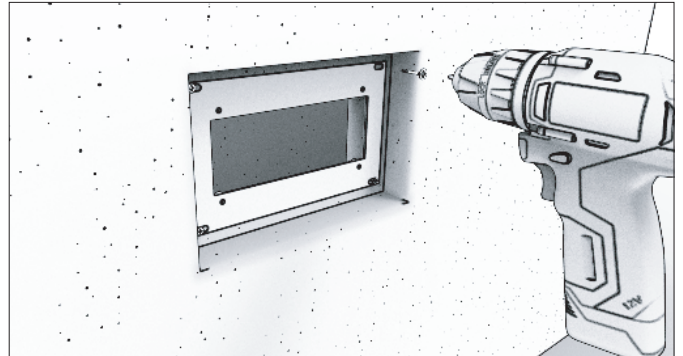
A. INTERNAL WALL INSTALLATION



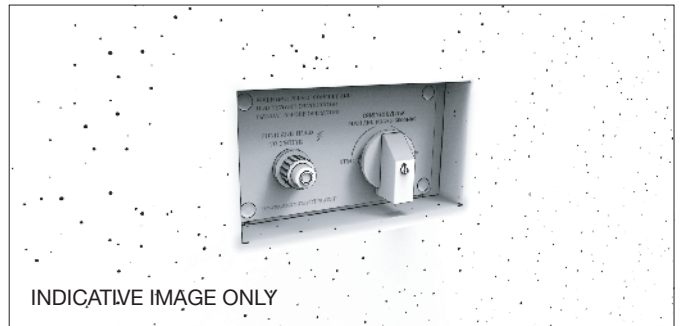
B. EXTERNAL WALL INSTALLATION



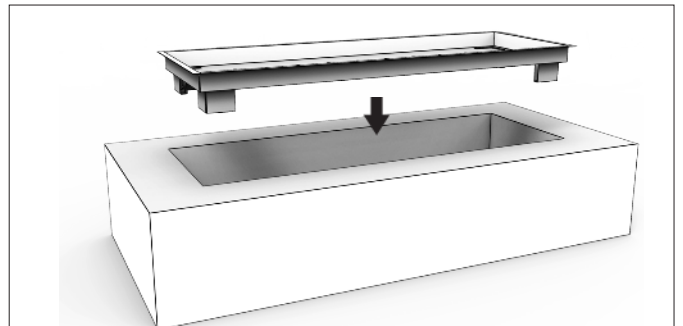
C. EXTERNAL RECESSED WALL INSTALLATION



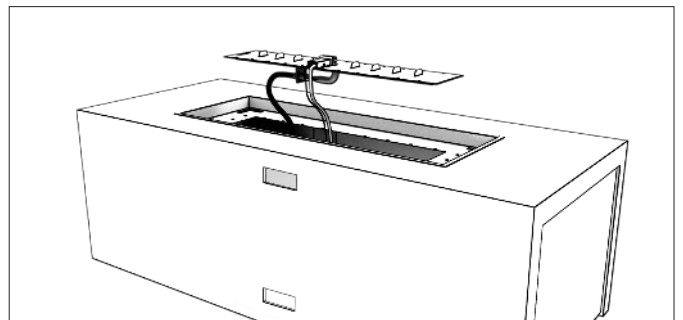
5. Install Control Panel. Refer to Gas Operations Manual for full Control Panel assembly.



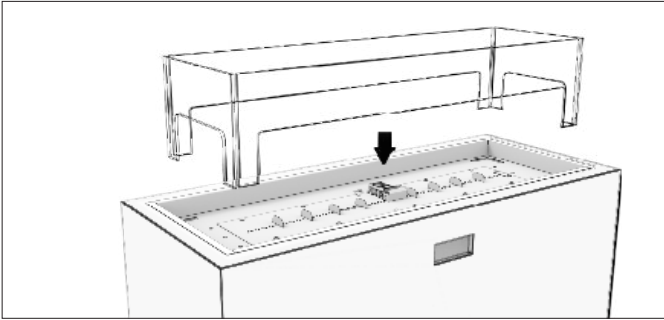
6. Insert the metal tray into the cutout.



7. Insert burner into metal tray. Please read assembly instructions in the Operations Manual provided with your burner.

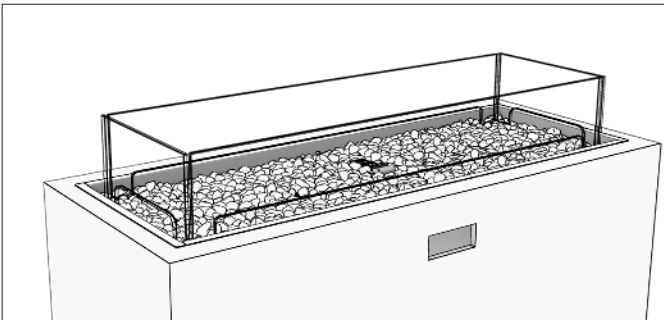


8. Insert Glass Screen. Align each glass screen tab with the designated slots in the metal tray, gently put into position. Exercise caution so as not to fracture or damage glass. Appliance must not be operated without the glass screen installed.



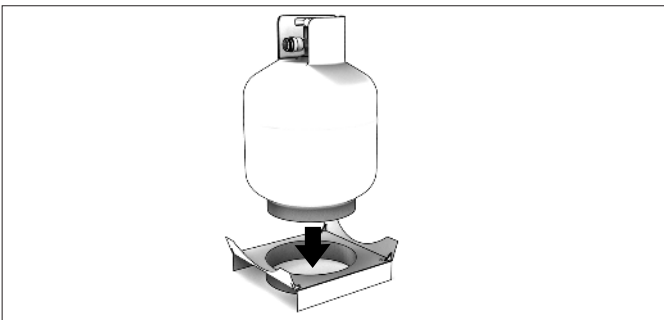
9. Add glass charcoal around the burner - be careful not to scratch the burner surface.

Do not place glass charcoal on top of the burner or where they can interfere with the operation of the burner or the flame.

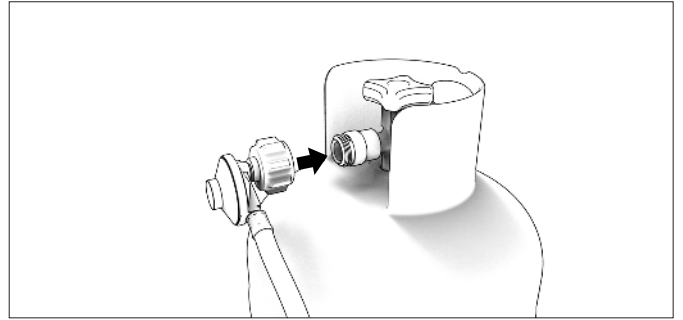


IF USING PROPANE GAS BOTTLE

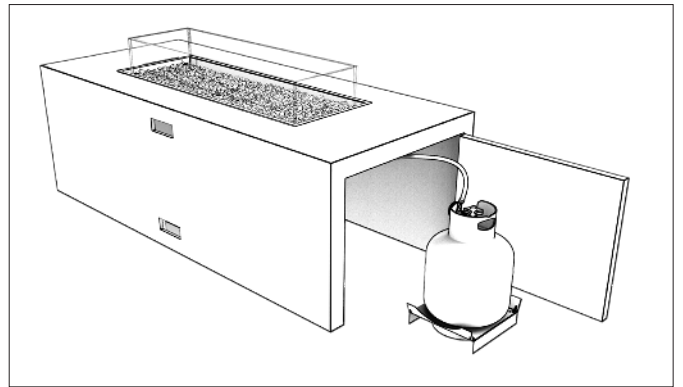
Place the gas bottle onto the propane gas bottle platform in an upright position.



Attach the gas supply hose to the Propane bottle.



Ensure the Propane Gas Bottle Platform assembly is in the correct orientation. Carefully push the assembly into the cavity within the built surround/platform. Close the door once in position.



CAUTION: No other items should be stored within the built surround/platform cavity while the fire is in operation.

OPERATE ACCORDING TO THE BURNER OPERATIONS MANUAL INCLUDED WITH THE BURNER.

WARNING! Risk of Fire! Do not apply combustible materials beyond the minimum clearances. Comply with all minimum clearances to combustibles as specified in this manual and the burner manual.



MAD Design Group

Showrooms 3 & 4, 40-42 O'Riordan Street

Alexandria NSW 2015 Australia

Tel: +61 2 9997 3050 Email: info@maddesigngroup.com

REV0121